

ACCEPT SPECIFICATION INDEX

NO.	DRAWING NAME	PAGE	REMARK
1	封面/The Cover	1/8	
2	目录/directory	2/8	
3	仕様書/SPEC	3/8	
4	電路圖和測試報告/Circuitry and Test report	4/8	
5	材料成份表/Bill of material	5/8	
6	外觀圖/Appearance figure	6/8	
7	銘版圖/Label drawings	7/8	
8	白盒圖/White box drawings	8/8	
記事:			

UPDATE REV.

REV	UPDATE	DATE	PRERARATOR
Original		2017.08.02	文美英

CUSTOMER:		MODEL NO.:	MKA-571652420		
PART NO.:		P/N:	MK-C1708003	DATE	2017.08.02

一. SAFETY STANDARD:

- UL&CUL GS&CE SAA&C-tick CCC
 CB&CE PSE CE OTHER

二.ELECTRICAL PERFORMANCE:

- Primary Rated Voltage And Frequency: 120 VAC 60 Hz.
- Secondary Rated Voltage And Current:

Test Point	Full Load Rated Voltage	Rated Current	Voltage Regulation	No Load Voltage
(3~4)	AC 16.5V ± 5%	AC2420mA		AC 18.0 V ± 5%

- Primary Exciting Current (Io): 110 mA Rms Max, At Input 120 VAC 60 Hz.
- HI-POT Test: 1240 VAC of One minute(or 1240 VAC One second) Between Input To output plug & Case. (Leakage Current 5 mA).
- Insulation Resistance: 500 VDC Supplied, 100 M Ohms Minimum Between input to output plug & Case.
- Temperature Rise: 90 °C Max On Primary Coil By The Resistance Method, And 60 °C Max On The Surface Of The Case By The Thermometer Method At 25 °C Ambient, Rated Load condition.
- Life Test: In an ambient temperature of 30±2°C, 90 - 95% R.H.. Applying a power source of 120 VAC 60 Hz. To primary, with full load 2420 mA for 24 hours continuously, unit output normally and meet the requirements of item 5, 6.

三.MECHANICAL CHARACTERISTICS :

- Drop test: Dropped freely from 90 cm height onto a one cm thickness dry wood surface 3 times from 3 different surface, after no abnormal condition happen, the unit should meet the item 5, 6.
- Strain relief test: Cord and plug at their normal position applied a weight of 10 Kg to input plug. 5Kg to output cord for 60 seconds each, shall be no broken of lead and other damage resulted.
- Cord bending test: The plug and S/R should withstand weight of 200 gram, it swings from left to right at Angle of 120 degree for 1000 cycles, and 40 cycles per minute. The cord shall be conductible.

四.ENVIRONMENTAL CONDITION:

- Operating temperature range: -10°C — +30°C 2. Storage temperature range: -30°C — +50°C
- Operation humidity range: 30 — 85% R. H

五.INSPECT OF FINISHED PRODUCTS:

1. THE TEST ITEMS FOR EACH PRODUCE:

- ◆ Primary exciting current. ◆ Output voltage ◆ Hi —pot test

2. THE TEST ITEM FOR PART OF PRODUCTS:

- ◆ Core loss ◆ D. C. Resistance ◆ Insulation test ◆ Drop test

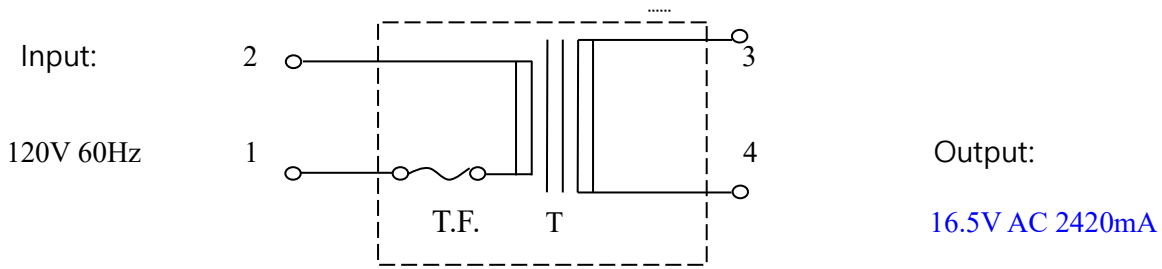
六.NET WEIGHT: 730 g.

七.PACKING STYLE:

- BOX [size: _____(L)x_____(W)x_____(H)mm]
 Polyester Bag [size: ____(L)x__(W)mm] + BOX [size: ____(L)x__(W)x__(H)mm]
 Polyester Bag [size: ____(L)x__(W)mm] + Shield
 OTHER (Shield)

CUSTOMER:		MODEL NO.:	MKA-571652420		
PART NO.:		P/N:	MK-C1708003	DATE	2017.08.02

八. ELECTRICAL CHARACTERISTICS:

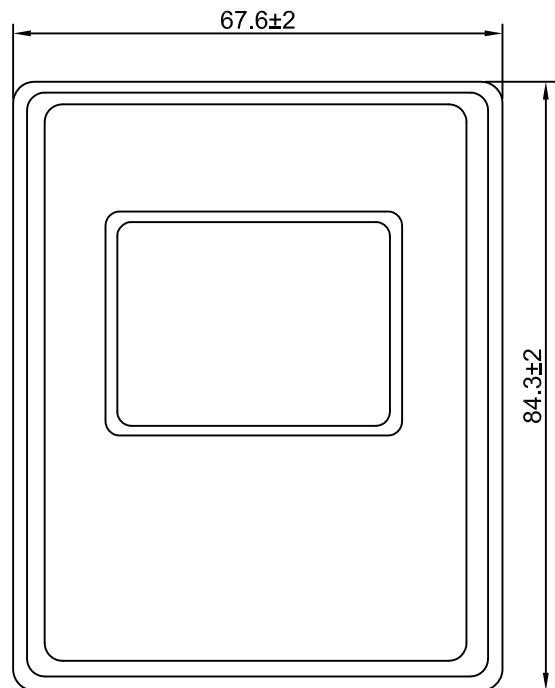
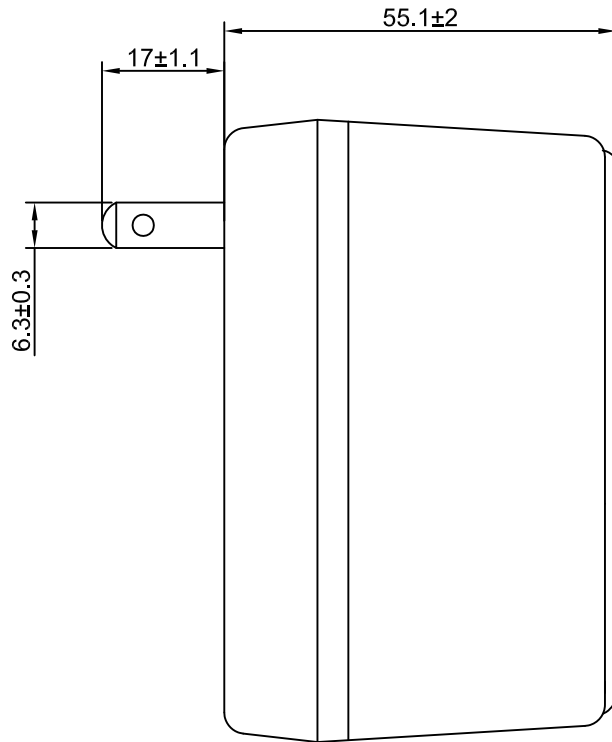
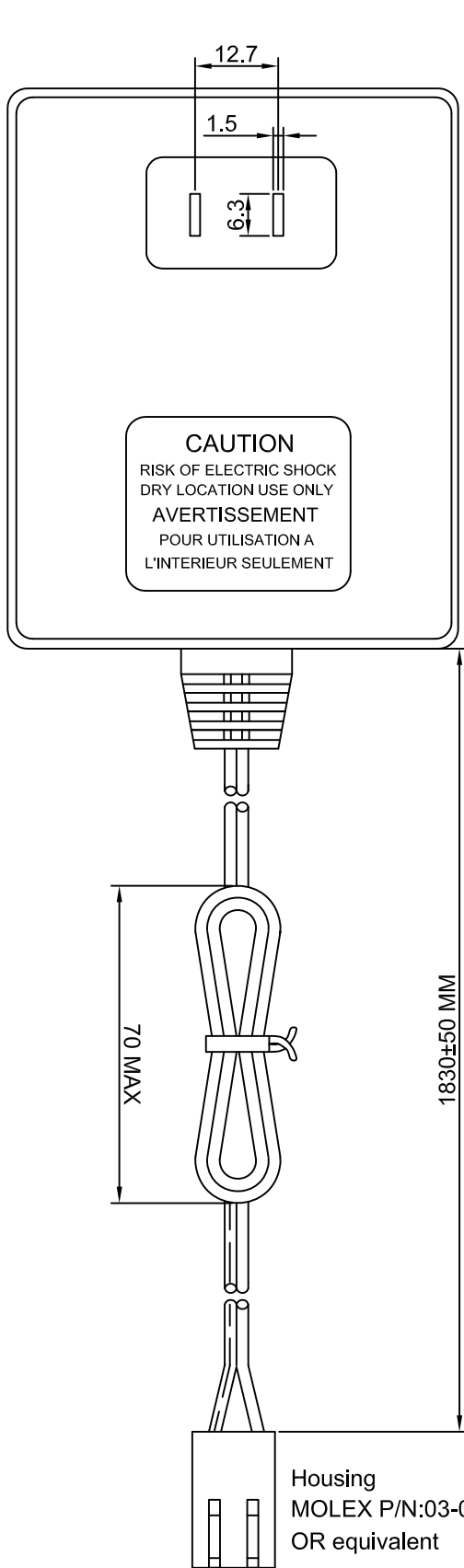


Symbol	Part Name	Specification	Q'TY
T	Transformer	EI-57	1
T.F.	Thermal Cutoff	A4-F/L33 130°C	1

九.SAMPLE TEST DATA:

TEST ITEM	SPEC	SAMPLE NO				
		1	2	3	4	5
PRIMARY EXCITING CURRENT I/P: 120VAC 60Hz	110mA MAX.	60				
PRIMARY LOAD CURRENT I/P: 120VAC 60Hz	mA	390				
SECONDARY VOLTAGE O/P: NO LOAD	AC 18.0 V ± 5%	18.08				
SECONDARY VOLTAGE O/P: LOAD AC 2420mA	AC 16.5 V ± 5%	16.57				
HI-POT TEST	PRI. TO SEC-CORE	AC1240 V/1m	OK			
	SEC. TO CORE	AC 500 V/1m	OK			

TESTED:	CHECKED:	APPROVED
---------	----------	----------



NOTE:			MODEL NO.		MKA-571652420		INPUT CORD			
			PART NO.				OUTPUT CORD		XT 20AWG	
			PAGE	6 OF 8	DATE	2017.08.02	MATERIAL			
DRAWN	CHECKED	APPROVED	深圳市美麗慶科技有限公司 MERRY KING ENTERPRISES CO.,LTD.				CASE MATERIALER			
鄧曉曉	唐海勇	熊友文					COLOR		UNIT	mm
SCALE										



NOTE:

1.材質

- 0.25m/m 鋁質(背膠)
- 0.25m/m P.E.T(背膠)

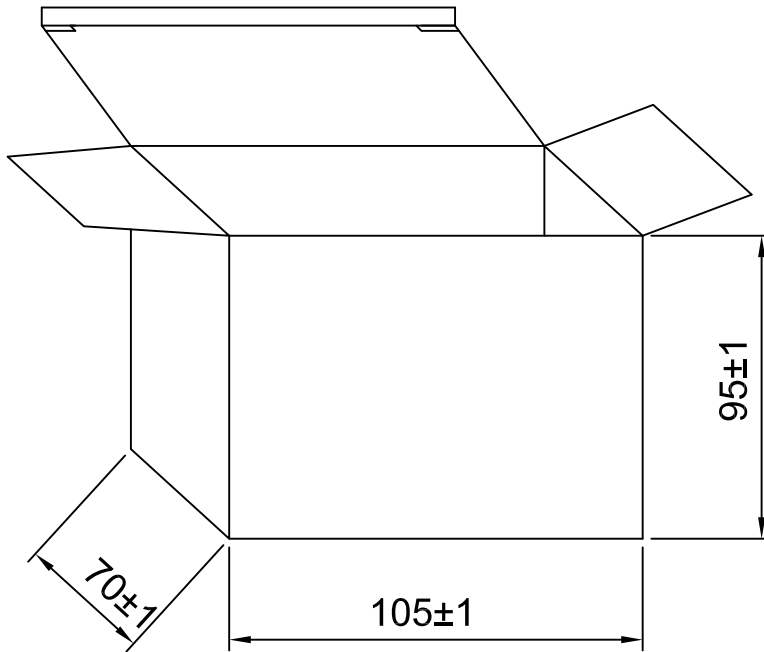
2.印刷

- 黑底銀字
- 銀底黑字

3.周期YYMM

YY西元年后二字如2008取08
MM月份(01~12)

NOTE:			MODEL NO.		MKA-571652420		修		
			DATE		2017.08.02				
			MATERIALER		UNIT	mm	改		
DRAWN	CHECKED	APPROVED	深圳市美麗慶科技有限公司 MERRY KING ENTERPRISES CO.,LTD.				PAGE NO.	SCALE	REV.
鄧曉曉	唐海勇	熊友文					DRAW NO.	MK-C1708003	



L:105mm W:70mm H:95mm

NOTE:

1. MATERIALS:白3C
2. TOLERANCE:±1.0
3. UNIT:mm
4. SIZE:L 105 W 70 H 95

NOTE:			MODEL NO.		MKA-571652420					
			PART NO.				NAME		BOX	
			PAGE	8 OF 8	DATE	2017.08.02	MATERIAL			
DRAWN	CHECKED	APPROVED	深圳市美麗慶科技有限公司				CASE MATERIALER			
鄧曉曉	唐海勇	熊友文	MERRY KING ENTERPRISES CO., LTD.				COLOR		UNIT	mm
							SCALE			